



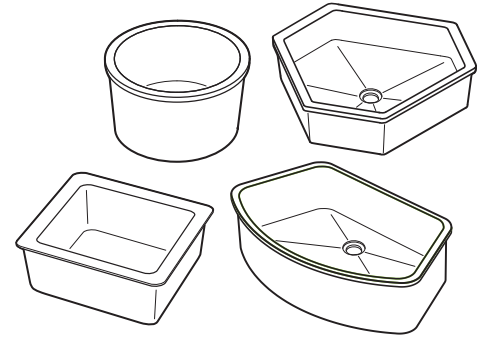
PRODUCT DIMENSIONS

INTERNATIONAL SIZES

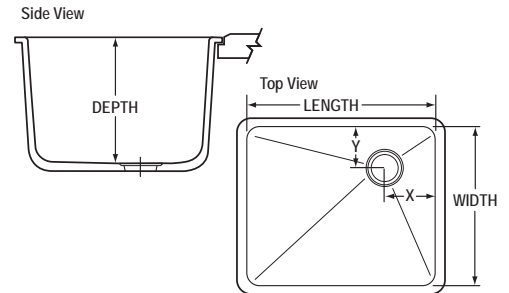
Standard Dropln® Sinks

Sink No.	Outlet	Wgt (kg)	Dimensions (mm)				
			Inside Bowl			Outlet Location	
			Length	Width	Depth	X	Y
D01C	Center	4	229	152	147	114	76
D03C	Center	7	305	203	147	152	102
A05	Corner	8	356	254	127	89	89
D05	Corner	10	356	254	157	89	89
D05C	Center	11	356	254	157	178	127
D10	End	9	406	203	173	114	102
D10C	Center	10	406	203	173	203	102
D15	Corner	14	406	305	203	89	89
D15C	Center	14	406	305	203	203	152
D19	Corner	19	406	406	244	89	89
D20	Corner	15	406	406	191	89	89
D22C	Center	14	457	165	173	229	84
D24(C)	Center	14	457	356	267	229	178
A25	Corner	16	457	381	127	89	89
D25	Corner	18	457	381	201	89	89
D30	Corner	24	457	381	279	89	89
D30C	Center	23	457	381	274	229	191
D33E	End	27	533	432	249	114	216
D45	Corner	29	546	394	279	89	89
D50C	Center	22	610	406	203	305	203
D52	Corner	35	610	457	279	89	89
A55	Corner	21	635	381	122	89	89
D55	Corner	28	635	381	254	89	89
D59	Corner	28	711	381	300	89	89
DRS12	Center	8	305	Round	198	Center	

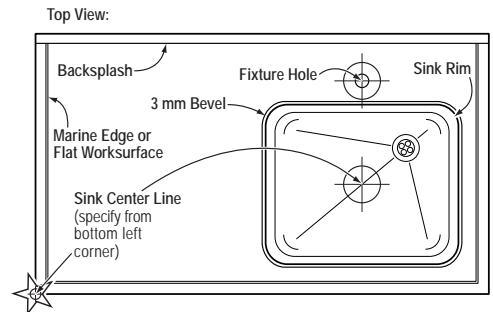
Dropln® Sink Styles



Dimensions Key



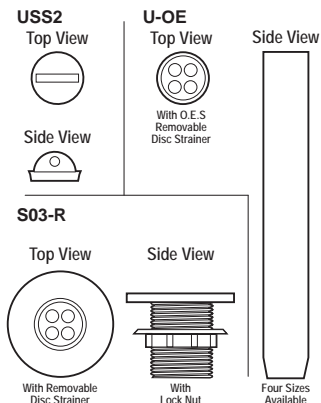
Installation Detail



Special Order Dropln® Sinks

Sink No.	Outlet	Wgt (kg)	Dimensions (mm)				
			Inside Bowl			Outlet Location	
			Length	Width	Depth	X	Y
D06*	Center	15	305	305	305	152	152
A07*	Corner	11	356	356	127	89	89
D08*	Corner	10	381	203	152	89	89
D09*	Corner	11	381	203	274	89	89
D21*	Corner	26	406	406	381	89	89
A26*	Corner	18	457	381	127/279	89	140
D32	Corner	22	457	381	401	89	89
D51*	Corner	27	610	406	244	89	89
D54*	Corner	20	635	381	203	89	89
D57*	Corner	32	635	381	345	89	89
D58*	Corner	36	635	381	452	89	89
D61	End	43	762	406	452	114	191
D65C*	Center	44	902	495	249	452	249
D68**	End	32	462	406	254	203	121
D70C*	Center	43	610	406	394	203	305
D100**	Center	13	572	Hexagon	127	Center	
D200**	End	29	785	Hexagon	178	394	203
DRS10*	Center	6	254	Round	198	Center	
DHC20*	End	37	762	Hexagon	178	Center	
D99*	End	26	813	Semi-Circle	254	292	114

Outlets & Accessories



All sinks are available at both plants unless they are Special Order Sinks, available as noted:
 * Available only from Taylor, TX, plant (colors: Black Onyx, Gray, Graphite, Tan, Forest Green and Steel Blue).
 ** Available only from Canton, MI, plant (colors: Black Onyx, Gray and Alpine White)

ADA compliant sinks are designated by this symbol.

All Dimensions are nominal. Exterior dimensions vary by MFG location. Cutsheets available upon request.