



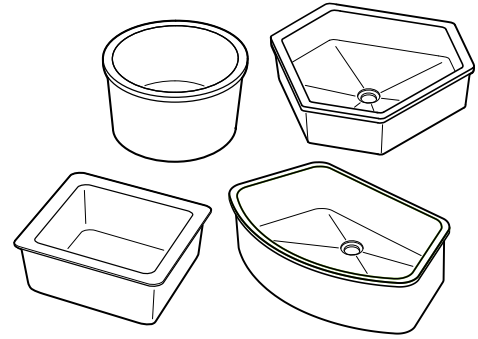
PRODUCT DIMENSIONS

DOMESTIC SIZES

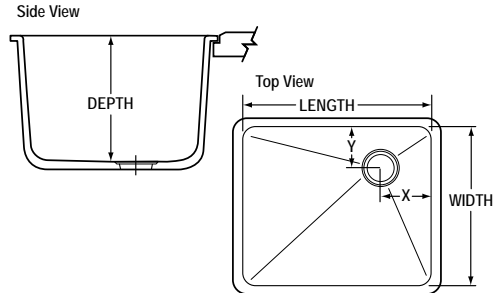
Standard Dropln® Sinks

Sink No.	Outlet	Wgt (lb)	Dimensions (in)				
			Inside Bowl			Outlet Location	
			Length	Width	Depth	X	Y
D01C	Center	9	9.0	6.0	5.8	4.5	3.0
D03C	Center	16	12.0	8.0	5.8	6.0	4.0
A05	Corner	18	14.0	10.0	5.0	3.5	3.5
D05	Corner	22	14.0	10.0	6.2	3.5	3.5
D05C	Center	24	14.0	10.0	6.2	7.0	5.0
D10	End	20	16.0	8.0	6.8	4.5	4.0
D10C	Center	22	16.0	8.0	6.8	8.0	4.0
D15	Corner	30	16.0	12.0	8.0	3.5	3.5
D15C	Center	31	16.0	12.0	8.0	8.0	6.0
D19	Corner	42	16.0	16.0	9.6	3.5	3.5
D20	Corner	32	16.0	16.0	7.5	3.5	3.5
D22C	Center	30	18.0	6.5	6.8	9.0	3.3
D24(C)	Center	30	18.0	14.0	10.5	9.0	6.8
A25	Corner	35	18.0	15.0	5.0	3.5	3.5
D25	Corner	39	18.0	15.0	7.9	3.5	3.5
D30	Corner	53	18.0	15.0	11.0	3.5	3.5
D30C	Center	50	18.0	15.0	10.8	9.0	7.5
D33E	End	59	21.0	17.0	9.8	4.5	8.5
D45	Corner	64	21.5	15.5	11.0	3.5	3.5
D50C	Center	48	24.0	16.0	8.0	12.0	8.0
D52	Corner	77	24.0	18.0	11.0	3.5	3.5
A55	Corner	47	25.0	15.0	4.8	3.5	3.5
D55	Corner	61	25.0	15.0	10.0	3.5	3.5
D59	Corner	61	28.0	15.0	11.8	3.5	3.5
DRS12	Center	18	12.0	Round	7.8	Center	

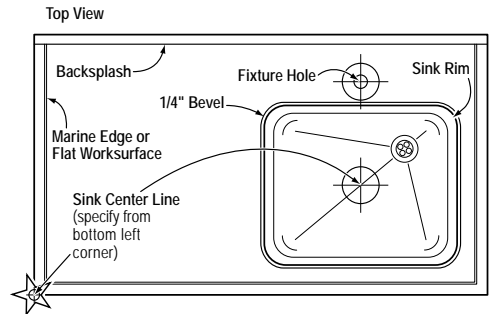
Dropln® Sink Styles



Dimensions Key



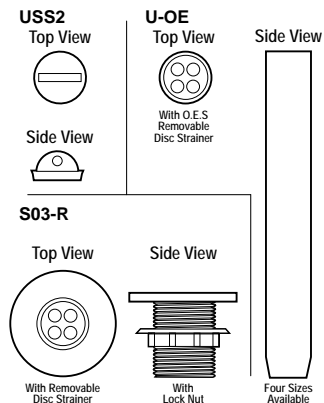
Installation Detail



Special Order Dropln® Sinks

Sink No.	Outlet	Wgt (lb)	Dimensions (in)				
			Inside Bowl			Outlet Location	
			Length	Width	Depth	X	Y
D06*	Center	34	12.0	12.0	12.0	6.0	6.0
A07*	Corner	24	14.0	14.0	5.0	3.5	3.5
D08*	Corner	25	15.0	8.0	6.0	3.5	3.5
D09*	Corner	25	15.0	8.0	10.8	3.5	3.5
D21*	Corner	58	16.0	16.0	15.0	3.5	3.5
A26*	Corner	39	18.0	15.0	5/11	4.5	5.5
D32	Corner	49	18.0	15.0	15.8	3.5	3.5
D51*	Corner	60	24.0	16.0	9.6	3.5	3.5
D54*	Corner	45	25.0	15.0	8.0	3.5	3.5
D57*	Corner	71	25.0	15.0	13.6	3.5	3.5
D58*	Corner	79	25.0	15.0	17.8	3.5	3.5
D61	End	94	30.0	16.0	17.8	4.5	7.5
D65C*	Center	98	35.5	19.5	9.8	17.8	9.8
D68**	End	70	30.0	16.0	10.0	4.75	8.0
D70C*	Center	95	24.0	16.0	15.5	8.0	12.0
D100**	Center	29	22.5	Hexagon	5.0	Center	
D200**	End	64	30.9	Hexagon	7.0	15.5	8.0
DRS10*	Center	14	10.0	Round	7.8	Center	
DHC20*	End	82	30.0	Hexagon	7.0	Center	
D99*	End	56	32.0	Semi-Circle	10.0	11.5	4.5

Outlets & Accessories



All sinks are available at both plants unless they are Special Order Sinks, available as noted:
 * Available only from Taylor, TX, plant (colors: Black Onyx, Gray, Graphite, Tan, Forest Green and Steel Blue).
 ** Available only from Canton, MI, plant (colors: Black Onyx, Gray and Alpine White)

ADA compliant sinks are designated by this symbol.

All Dimensions are nominal. Exterior dimensions vary by MFG location. Cutsheets available upon request.